

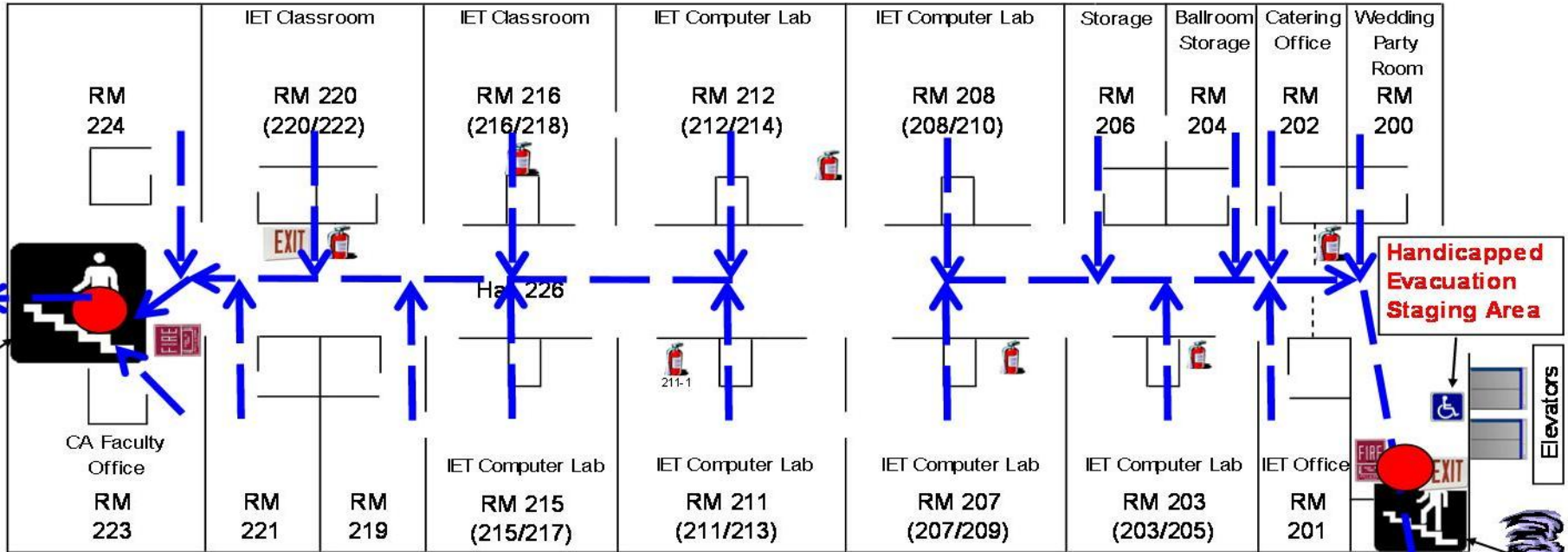
CITY CENTER SHELTER AREAS AND EVACUATION ROUTES



2nd Floor High Rise

HR2

Alley



**Handicapped
Evacuation
Staging Area**

Elevators

**OPEN AREA IN FRONT
OF MUSEUM**

OTTAWA STREET

**SHELTER
AREA**

YOU ARE
HERE

EVACUATE BUILDING HERE TO
SEE ABOVE